

Product technical sheet

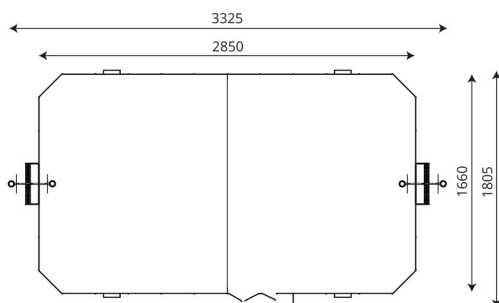
ARENA 2408A17x31



Product data

Length	3325 cm
Width	1805 cm
Total height	505 cm
Age group	3+ years
In accordance with norm EN	15312:2007+A1:2010
Weight of the heaviest part	17,5 kg
Dimensions of the largest part	564 cm
Availability of spare parts	YES

Data is subject to change without prior notice.

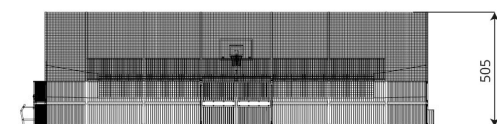


Material specification

- Stainless steel screws and/or screws covered with plastic caps,
- Safe end caps on top of the structure made of rubber or polypropylene,

Additional information

- Generally available equipment for practicing many sports; equipment adapted for the disabled;
- equipment has a certificate issued by an accredited entity or a declaration of conformity;
- no sharp edges or chinks that would pose a danger of jimmie the head, fingers or any other body parts;
- anchoring on flat surface, 80/70/60 cm deep;
- render is for reference only, the actual appearance of the equipment and its color may vary;



Guarantee

30

30 year guarantee - Structural strength of steel and stainless steel components

15

15 year guarantee - Structural failure of steel and stainless steel, for dynamic equipment

10

10 year guarantee - Structural failure of high density polyethylene and high pressure laminates components

5

5 year guarantee - Corrosion of stainless steel and hot dip galvanized and powder coated components; against bark beetles and rot in case of wooden structural elements

Detailed information in the guarantee card

WIN PLAY GROUP

Add: Building E, Wisniowy Business Park, Ul Ilzecka 26, 02-135, Warsaw, Poland

Tel : +48 221 530 191

Email: info@playground.com.pl