

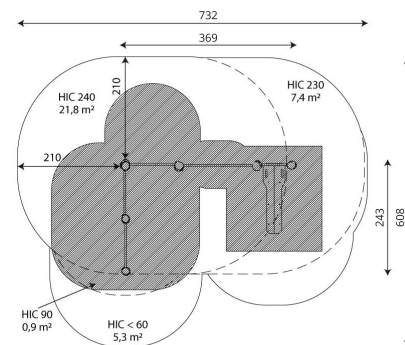
WIN PLAY WORKOUT RB2323

WORKOUT EQUIPMENT



| Device Specifications | |
|------------------------------------|---------------------|
| Safety zone | 35,4 m ² |
| Lenght | 369 cm |
| Width | 243 cm |
| Total height | 260 cm |
| Free fall height | 240 cm |
| Age range | 14+ years |
| In accordance with EN standard | 16630:2015 |
| Weight of the heaviest part [kg] | 74 |
| Dimension of the biggest part [cm] | 18x18x320 |
| Availability of spare parts | Yes |

Minimal space



MATERIAL SPECIFICATION

- Construction made of Robinia - very durable acacia wood with a diameter of ~ 18 cm without sharp edges, resistant to weather conditions,
- Stainless steel bars,
- Stainless steel and/or galvanized steel screws,
- Aluminum plate with exercise instructions, screwed to HDPE,
- Seat made of durable, anti-slip and waterproof HPL plate.

ADDITIONAL COMMENTS

- device intended for public outdoor gyms;
- equipment has a certificate issued by an accredited entity or a declaration of conformity;
- no sharp edges or chinks that would pose a danger of jimming the head, fingers or any other body parts;
- anchoring on flat surface, 80 cm deep;
- render is for reference only, the actual appearance of the equipment and its color may vary;

SURFACES

Due to the free fall height of the equipment, the EN 16630:2015 standard allows the following surfaces: sand with minimal layer thickness of 40 cm (A), synthetic material approved for free fall of 2,40 m.