

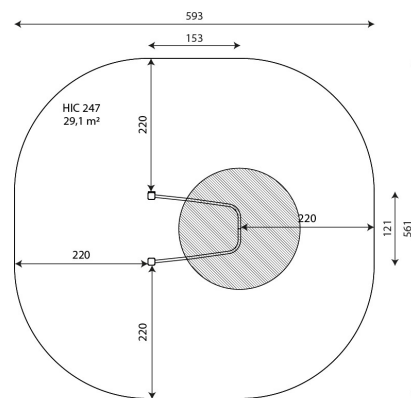
WIN PLAY WORKOUT 2311

WORKOUT EQUIPMENT



Device Specifications	
Safety zone	29,1 m <sup>2</sup>
Lenght	153 cm
Width	121 cm
Total height	347 cm
Free fall height	247 cm
Age range	14+ years
In accordance with EN standard	16630:2015
Weight of the heaviest part [kg]	32
Dimension of the biggest part [cm]	4x4x450
Availability of spare parts	Yes

Minimal space



MATERIAL SPECIFICATION

- 100 x 100 mm galvanized and powder coated or stainless steel construction,
- Stainless steel handles,
- Top of the construction secured with durable plastic caps,
- Stainless steel screws,
- Aluminum plate with exercise instructions, screwed to HDPE.

ADDITIONAL COMMENTS

- device intended for public outdoor gyms;
- equipment has a certificate issued by an accredited entity or a declaration of conformity;
- no sharp edges or chinks that would pose a danger of jimming the head, fingers or any other body parts;
- anchoring on flat surface, 100 cm deep;
- render is for reference only, the actual appearance of the equipment and its color may vary;

SURFACES

Due to the free fall height of the equipment, the EN 16630:2015 standard allows the following surfaces: sand with minimal layer thickness of 40 cm (A), synthetic material approved for free fall of 2,47 m.