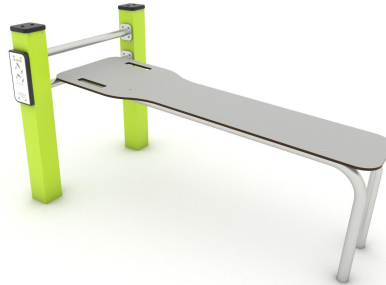


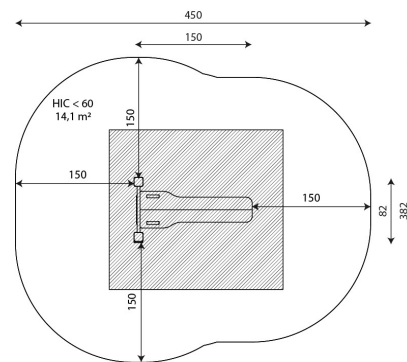
WIN PLAY WORKOUT 2306

WORKOUT EQUIPMENT



Device Specifications	
Safety zone	14,1 m ²
Lenght	150 cm
Width	82 cm
Total height	84 cm
Free fall height	<60 cm
Age range	14+ years
In accordance with EN standard	16630:2015
Weight of the heaviest part [kg]	16
Dimension of the biggest part [cm]	142x4x150
Availability of spare parts	Yes

Minimal space



MATERIAL SPECIFICATION

- 100 x 100 mm galvanized and powder coated or stainless steel construction,
- Stainless steel handles,
- Top of the construction secured with durable plastic caps,
- Stainless steel screws,
- Aluminum plate with exercise instructions, screwed to HDPE,
- Seat made of durable, anti-slip and waterproof HPL plate.

ADDITIONAL COMMENTS

- device intended for public outdoor gyms;
- equipment has a certificate issued by an accredited entity or a declaration of conformity;
- no sharp edges or chinks that would pose a danger of jimming the head, fingers or any other body parts;
- anchoring on flat surface, 80 cm deep;
- render is for reference only, the actual appearance of the equipment and its color may vary;

SURFACES

Due to the free fall height of the equipment, the EN 16630:2015 standard allows the following surfaces: turf/ soil (A,B,C), sand with minimal layer thickness of 30 cm (A,C), synthetic material approved for free fall of 0,60 m.