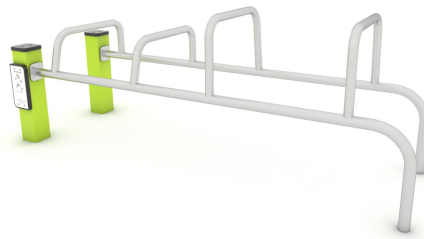


WIN PLAY WORKOUT 2301

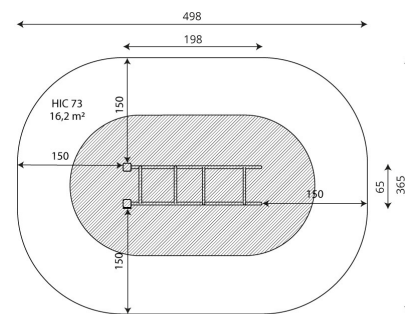
WORKOUT EQUIPMENT



Win play

| Device Specifications              |                     |
|------------------------------------|---------------------|
| Safety zone                        | 16,2 m <sup>2</sup> |
| Lenght                             | 198 cm              |
| Width                              | 65 cm               |
| Total height                       | 73 cm               |
| Free fall height                   | 73 cm               |
| Age range                          | 14+ years           |
| In accordance with EN standard     | 16630:2015          |
| Weight of the heaviest part [kg]   | 25                  |
| Dimension of the biggest part [cm] | 185x58x165          |
| Availability of spare parts        | Yes                 |

Minimal space



MATERIAL SPECIFICATION

- 100 x 100 mm galvanized and powder coated or stainless steel construction,
- Stainless steel handles,
- Top of the construction secured with durable plastic caps,
- Stainless steel screws,
- Aluminum plate with exercise instructions, screwed to HDPE.

ADDITIONAL COMMENTS

- device intended for public outdoor gyms;
- equipment has a certificate issued by an accredited entity or a declaration of conformity;
- no sharp edges or chinks that would pose a danger of jimming the head, fingers or any other body parts;
- anchoring on flat surface, 80 cm deep;
- render is for reference only, the actual appearance of the equipment and its color may vary;

SURFACES

Due to the free fall height of the equipment, the EN 16630:2015 standard allows the following surfaces: turf/ soil (A,B,C), sand with minimal layer thickness of 30 cm (A,C), synthetic material approved for free fall of 0,73 m.