

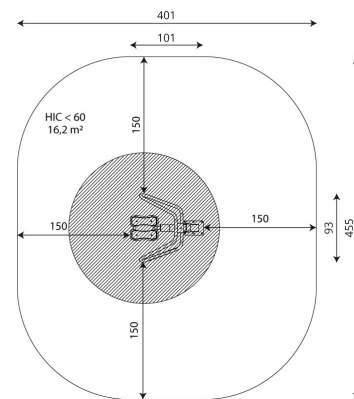
## WIN PLAY FITNESS 1107

PENDULUM



Device Specifications	
Strefa bezpieczeństwa	16,2 m <sup>2</sup>
Length	101 cm
Width	93 cm
Total height	163 cm
Free fall height	< 60 cm
Age area	14+
In accordance EN standards	16630:2015
Weight of the heaviest part [kg]	17
Dimension of the biggest part [cm]	39x19x131
Availability of spare parts	Yes

Minimal space



## MATERIAL SPECIFICATION

- 100 x 100 mm galvanized and powder coated or stainless steel construction,
- Steps made of durable, anti-slip and waterproof HPL plate, edges made of HDPE,
- Top of the construction secured with durable plastic caps,
- Powder-galvanized steel and powder-coated or stainless steel handles,
- Stainless steel screws,
- Polycarbonate and HDPE phone holder,
- Moving elements based on a durable braking system closed in casings, which do not require greasing and maintenance, which ensures a long service life of the device,

## ADDITIONAL COMMENTS

- device intended for public outdoor gyms;
- equipment has a certificate issued by an accredited entity or a declaration of conformity;
- no sharp edges or chinks that would pose a danger of jimmieing the head, fingers or any other body parts;
- anchoring on flat surface, 80/70 cm deep;
- render is for reference only, the actual appearance of the equipment and its color may vary;

## SURFACES

Due to the free fall height of the equipment, the EN 16630:2015 standard allows the following surfaces: turf/ soil (A,B,C), sand with minimal layer thickness of 30 cm (A,C), synthetic material approved for free fall of 0,60 m.